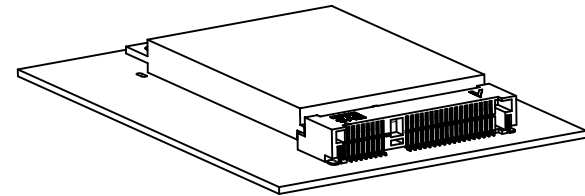
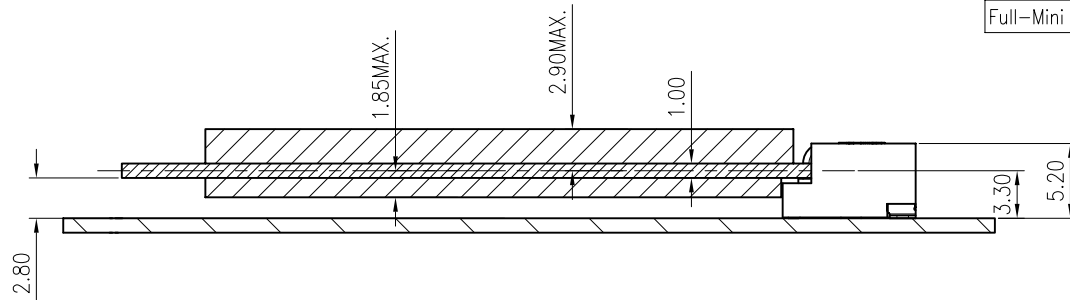
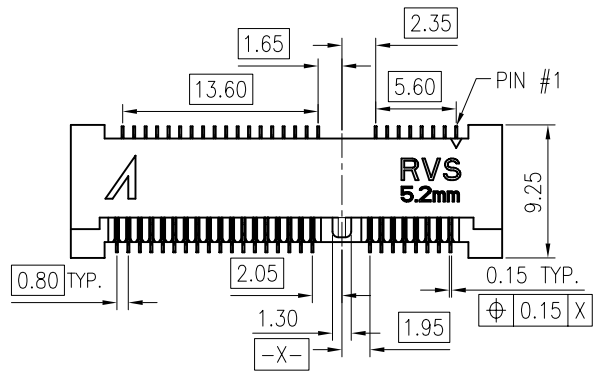


- NOTES:
- MATERIAL:
 - HOUSING: THERMOPLASTIC, HIGH TEMP., UL94V-0;
 - CONTACT: COPPER ALLOY
 - FITTING NAIL: COPPER ALLOY
 - FINISH:
 - CONTACT: PLS. SEE ORDER INFORMATION
50 μ MIN. NICKEL UNDERPLATING OVERALL.
 - FITTING NAIL: 100 μ MIN. TIN PLATING ON SOLDER TAILS.
50 μ MIN. NICKEL UNDERPLATING OVERALL.
 - REFLOW SOLDER CAPABLE TO 260°C PER ACES SPEC.
 - THE MODULE CARD REFERENCE MINIPCI EXPRESS CARD ELECTROMECHANICAL SPECIFICATION
 - DATUM D IS THE TOP SURFACE OF PCB
 - SPEC. PLS. REFER TO PS-51700-052xx
 - PACKING SPEC. PLS. REFFER TO 88915-52XX-TRP

TYPE	DIM C
Half-Mini Card	23.90
Full-Mini Card	48.05



一般公差 TOLERANCES X ±0.5 XX ±0.15 X ±0.25 XXX ±0.1 ANGLES ±2°		宏致電子股份有限公司 Aces Electronic Co.,Ltd.			
檢驗尺寸標示 SYMBOLS $\text{\textcircled{C}}$ $\text{\textcircled{M}}$ INDICATE CLASSIFICATION DIMENSION $\text{\textcircled{C}}$ MARK IS CRITICAL DIM. $\text{\textcircled{M}}$ MARK IS MAJOR DIM.	品名 (TITLE) MINI PCI EXP. RVS TYPE 0.8mm PITCH H=5.20mm		製圖 (DR) 13/05/23 XIUJIN		
	圖號 (DWG.NO) 51702-XXXXX-XXX		審核 (CHKD) JERRY		
表面處理 (FINISH)		比例 (SCALE) 2:1	單位 (UNITS) mm	核准 (APPD) JASON	
			張數 (SHEET) 1 OF 3	SIZE A4	
				REV B	



PART NUMBER
51702 - XXX X X-XXX

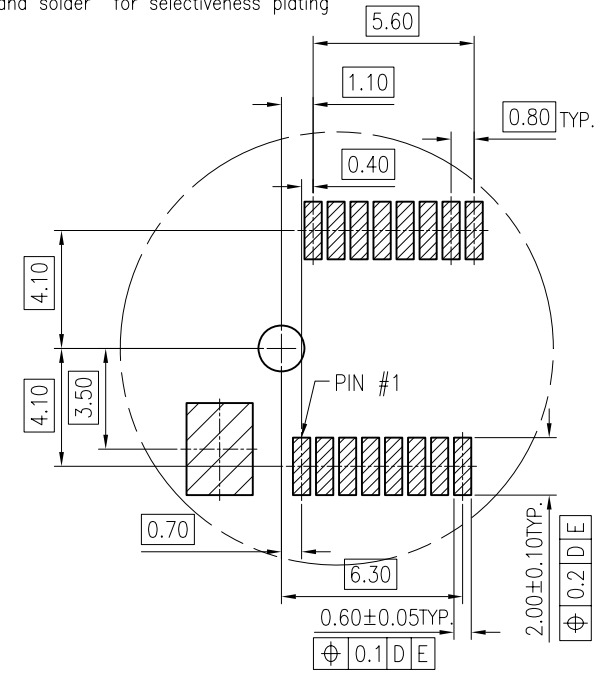
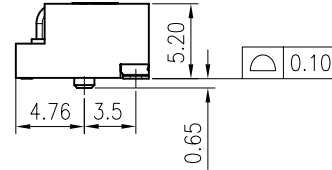
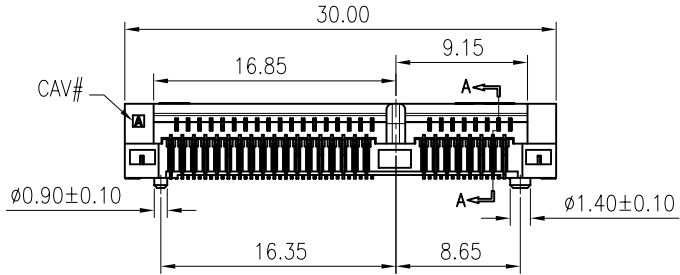
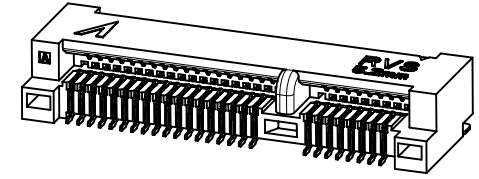
POS.
052. 52 PIN

PACKAGE
0. TAPE & REEL

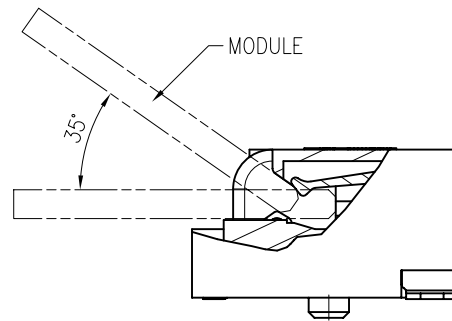
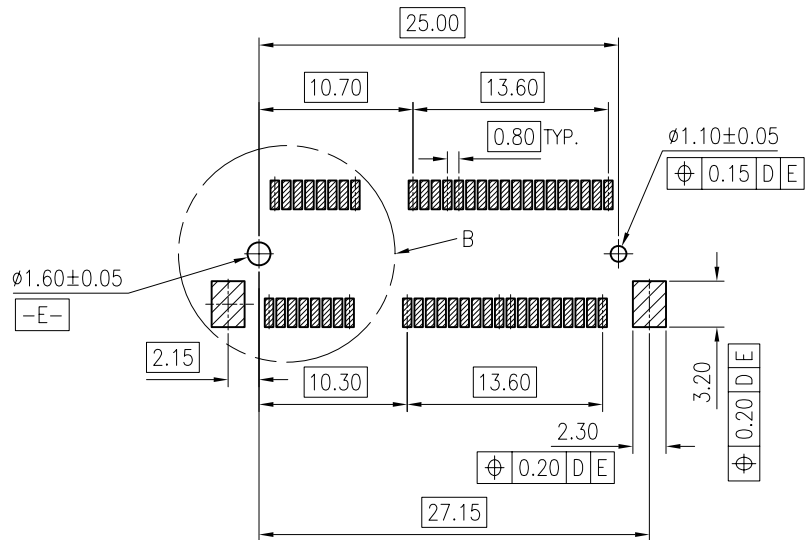
PLATING

W. 1u" Gold on contact and solder for selectiveness plating
T:10u" Gold on contact and solder for selectiveness plating
B:5u" Gold on contact and solder for selectiveness plating

XXX	COLOR	Halogen Free
001	BLACK	HF



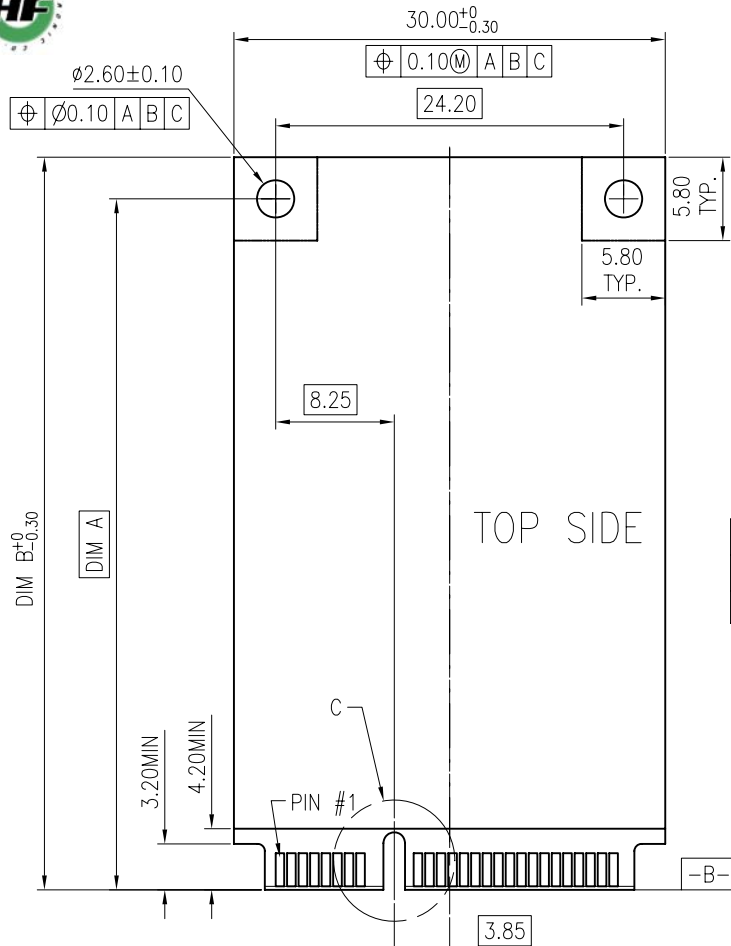
DETAIL B
SCALE 4:1



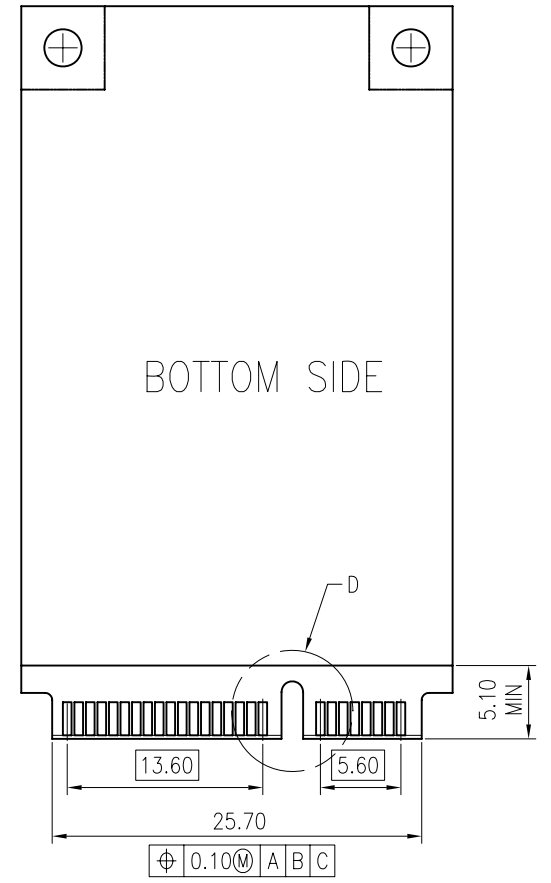
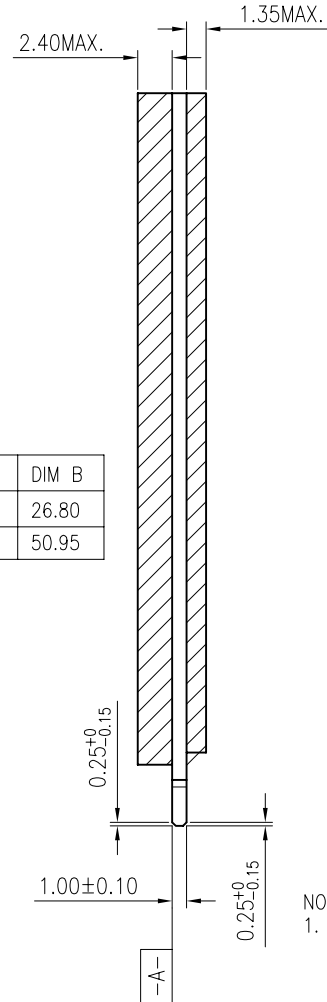
SECTION A-A
SCALE 4:1

CONNECTOR LAYOUT

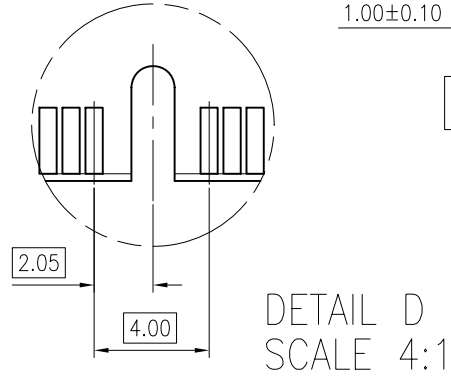
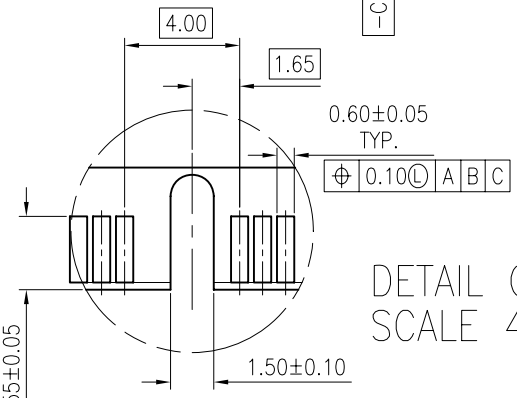
一般公差 TOLERANCES X ±0.5 XX ±0.15 X ±0.25 XXX ±0.1 ANGLES ±2°		宏致電子股份有限公司 Aces Electronic Co.,Ltd.	
檢驗尺寸標示 SYMBOLS ⊕ ⊗ INDICATE CLASSIFICATION DIMENSION	品名 (TITLE) MINI PCI EXP. RVS TYPE 0.8mm PITCH H=5.20mm	製圖 (DR) 13/05/23 審核 (CHKD) JERRY	XIUJIN
⊕ MARK IS CRITICAL DIM. ⊗ MARK IS MAJOR DIM.	圖號 (DWG. NO) 51702-XXXXX-XXX	核准 (APPD) JASON	
表面處理 (FINISH)	比例 (SCALE) 2:1	單位 (UNITS) mm	張數 (SHEET) 2 OF 3 SIZE A4 REV B



TYPE	DIM A	DIM B
Half-Mini Card	23.90	26.80
Full-Mini Card	48.05	50.95



NOTES:
 1. PIN NUMBERING REFERENCE:
 ODD PINS: TOP SIDE
 EVEN PINS: BOTTOM SIDE



一般公差 TOLERANCES X ±0.5 XX ±0.15 X ±0.25 XXX ±0.1 ANGLES ±2°		宏致電子股份有限公司 Aces Electronic Co.,Ltd.	
檢驗尺寸標示 SYMBOLS INDICATE CLASSIFICATION DIMENSION	品名 (TITLE) MINI PCI EXP. RVS TYPE 0.8mm PITCH H=5.20mm	製圖 (DR) 13/05/23 審核 (CHKD) JERRY	XIUJIN
MARK IS CRITICAL DIM. MARK IS MAJOR DIM.	圖號 (DWG.NO) 51702-XXXXX-XXX	核准 (APPD) JASON	JERRY
表面處理 (FINISH)	比例 (SCALE) 2:1	單位 (UNITS) mm	張數 (SHEET) 3 OF 3 尺寸 (SIZE) A4 版次 (REV) B